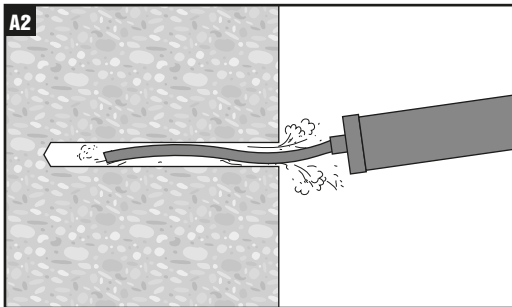
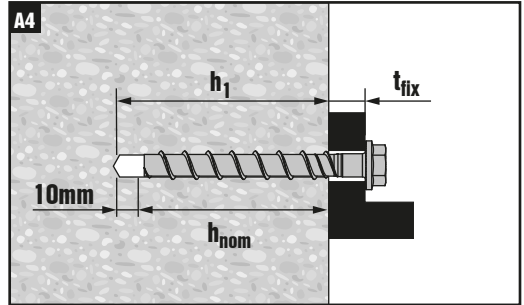
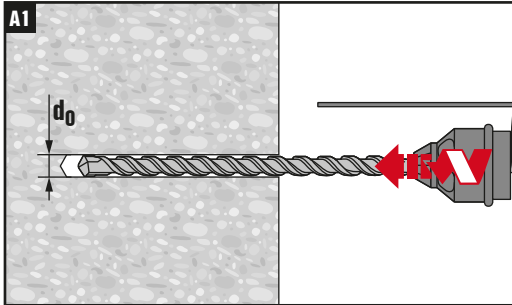


			d_0
	SIW 22T-A		$\varnothing 14 \text{ mm}$



A5

	h_{nom1}	h_{nom2}	h_{nom3}
HUS3-HF 14	=65mm	=85mm	=115mm
	t_{fix1}	t_{fix2}	t_{fix3}
14x150	85 mm	65 mm	35 mm

